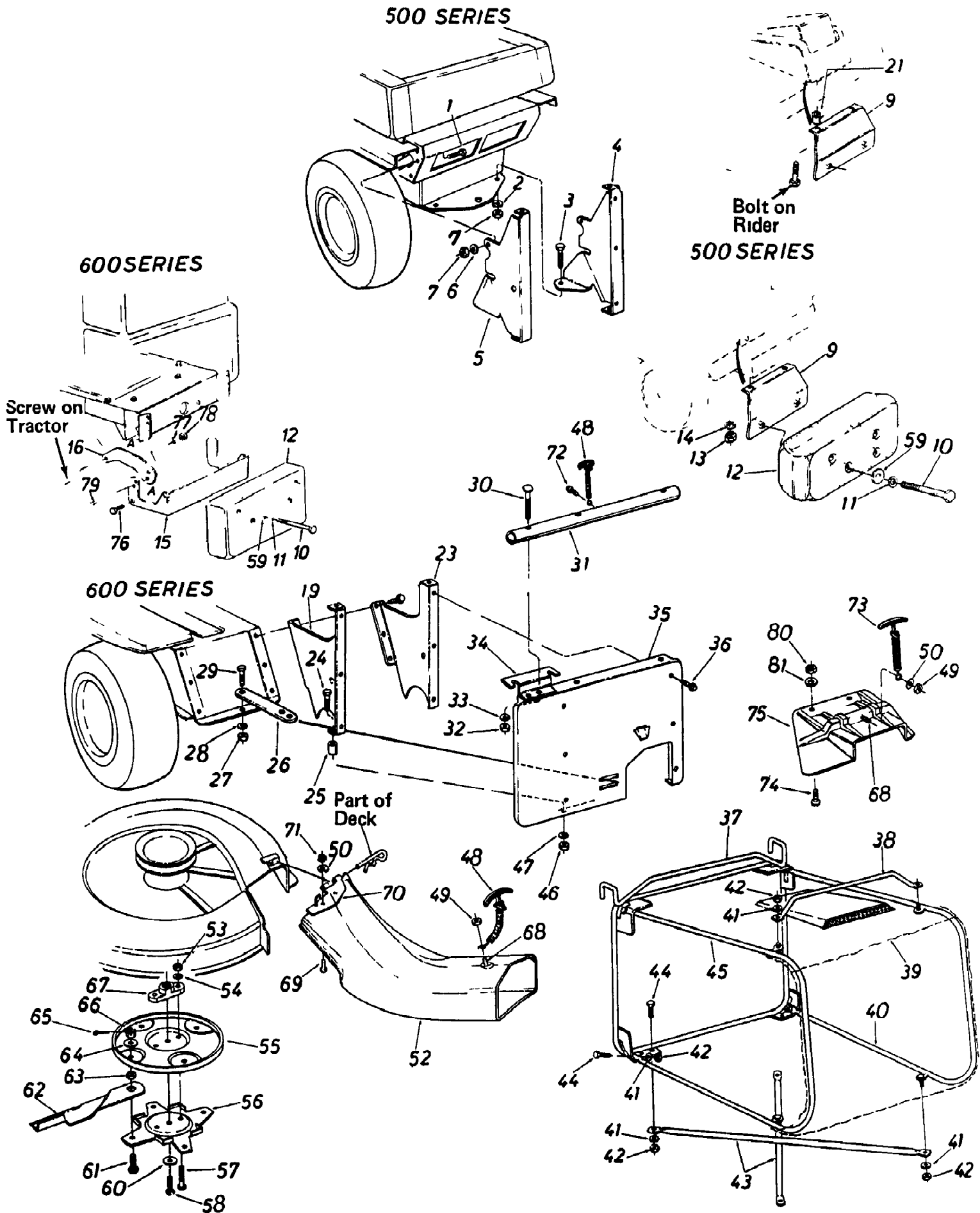


196-038-000 Rear Bagging Grass Catcher (1986)
30" Rear Discharge Deck Grass Catcher Kit



196-038-000 Rear Bagging Grass Catcher (1986)
30" Rear Discharge Deck Grass Catcher Kit

Page 2 of 3

Ref #	Part Number	Qty	S/P/F	Description
1	710-0376	1	/P/F	Hex Bolt 5/16-18 x 1.0" Lg.*
2	736-0119	1	S/F	L.-Wash. 5/16" I.D.*
3	710-0376	1	/P/F	Hex Bolt 5/16-18 x 1.0" Lg.*
4	15970	1	S/F	Catcher Support Brkt-R.H.
5	15971	1	F	Catcher Support Brkt-L.H.
6	736-0119	1	S/F	L.-Wash. 5/16" I.D.*
7	712-0267	1	S/F	Hex Nut 5/16-18 Thd.*
9	15539	1		Counterweight Support Brkt. Ass'y
10	710-0693	1	/P	Hex Bolt 3/8-16 x 4.5" Lg.*
11	736-0105	1	/P	Belleville Wash. .40" I.D. x .88" O.D.
12	723-0367	1		Counterweight 38 lbs.
13	712-0267	1	S/F	Hex Nut 5/16-18 Thd.*
14	736-0119	1	S/F	L.-Wash. 5/16" I.D.*
15	15873	1		Counterweight Support Brkt. Ass'y.
16	16024	1	F	Tie Strap
19	15363	1	F	Catcher Support Brkt.-L.H.
21	711-0242	1	S/F	Spacer .380" I.D. x 1.0" O.D. x .32" Lg.
23	15364	1	F	Catcher Support Brkt.-R.H.
24	710-0442	1	S	Hex Bolt 5/16-18 x 1.50" Lg.*
25	750-0434	1	/P	Spacer .380" I.D. x .47" O.D. x 1.0" Lg.
26	05400	1		Linkage Bracket
27	712-0922	1	/P	Hex Jam Nut 1/2-20 Thd.
28	736-0921	1	S	L.-Wash. 1/2" I.D.*
29	710-0493	1	S	Hex Bolt 1/2-20 x 1.0" Lg.*
30	710-0405	1	S	Curved Carriage Bolt 5/16-18 x 1.75" Lg.
31	749-0659	1	S	Grass Catcher Support Tube
32	712-0267	1	S	Hex Nut 5/16-18 Thd.
33	736-0119	1	S	L.-Wash. 5/16" I.D.*
34	15995	1		Grass Catcher Support Plate
35	15923	1		Rear Discharge Panel
36	710-0599	1	/P	Hex Wash. Hd. Self Tap. Scr. 1/4-20 x .50" Lg.
37	15911	1		Grass Catcher Frame Ass'y.
38	749-0653	1	S	Grass Catcher Handle
39	764-0210	1	S	Grass Catcher Bag
40	15992	1	S	Catcher Side Frame Ass'y.-R.H.
41	736-0175	1	S	Spring-Wash. .270" I.D. x .57" O.D. x .025
42	712-0107	1	S	Hex L.-Nut 1/2-20 Thd
43	749-0651	1		Bottom Cross Brace
44	710-0258	1	S	Hex Bolt 1/4-20 x .62" Lg.
45	15993	1		Catcher Side Frame Ass'y.-L.H.
46	712-0267	1	S	Hex Nut 5/16-18 Thd.*
47	736-0119	1	S	L.-Wash. 5/16" I.D.
48	723-0296	1		Hook Latch Ass'y.
49	712-0107	1	S	Hex L.-Nut 1/4-20 Thd.
50	736-0142	1	S	Fl.-Wash. 1/4" I.D.*
52	15920	1		R.D. Banana Chute Ass'y.
53	712-0123	1	/P	Hex Nut 5/16-24 Thd.
54	736-0119	1	S	L.-Wash. 5/16" I.D.
55	742-0265	1	S	Upper Blade Disc
56	742-0279	1	S	Lower Blade Disc
57	710-0888	1	/P	Hex Bolt 5/16-24 x 1.0" Lg. (Grade 5)

196-038-000 Rear Bagging Grass Catcher (1986)
30" Rear Discharge Deck Grass Catcher Kit

Page 3 of 3

Ref #	Part Number	Qty	S/P/F	Description
58	710-0152	1	S	Hex Bolt 3/8-24 x 1.0" Lg.
59	736-0280	1		Fl.-Wash. .39" I.D. x 1.12" O.D.
60	736-0356	1	S	Bell.-Wash. 39" I.D. x 1.38"
61	738-0587	1	S	Shld. Bolt. .50" Dia. x .360 Spec.
62	742-0266	4		30" Blade Tip
63	750-0504	1		Spacer .505" I.D. x .75" O.D. x 1.25" Lg.
64	736-0179	1	S	Fl.-Wash. .50" I.D. x 1.25" O.D.
65	714-0111	1	S	Cotter Pin 3/32" Dia. x 1.0" Lg.*
66	712-0114	1	S	Hex Slotted Nut 1/2-20 Thd.
67	748-0300	1		Blade Adapter
68	710-0289	1	S	Hex Bolt 1/4-20 x .50" Lg.*
69	710-0286	1	/P	Truss Mach. Scr. 1/4-20 x .50" Lg.
70	15921	1	S	Chute Mounting Brkt.
71	712-0287	1	S	Hex Nut 1/4-20 Thd.*
72	710-0776	1	S	Hex AB Tap Scr. 1/4 x .62" Lg.
73	723-0370	1	S	Hook Latch Ass'y. 7" Lg.
74	710-0286	1	/P	Truss Mach. Scr. 1/4-20 x 50" Lg.
75	731-0721	1		R D Chute Extension
76	710-0314	1	/P/F	Hex Bolt 7/16-20 x 1.0" Lg.*
77	736-0171	1	S/F	L.-Wash. 7/16" I.D.*
78	712-0240	1	S/F	Hex Nut 7/16-20 Thd.*
79	710-0915	1	F	Self-Tap. Scr. 5/16-18x 1.0" Lg.
80	712-0107	1	S	Hex L.-Nut 1/4-20 Thd.
81	736-0142	1	S	Fl.-Wash. .281" I.D. x .50" O.D. x .063